

**Required Information for Ordering a Coil Heater from Jobco:
(Call JobcoSupply.com at 479-424-1300 to get a quote.)**

Inside Diameter _____

Outside Diameter _____

Length _____

Width _____

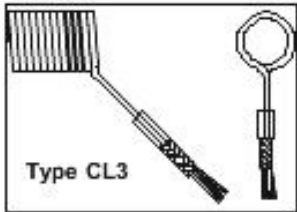
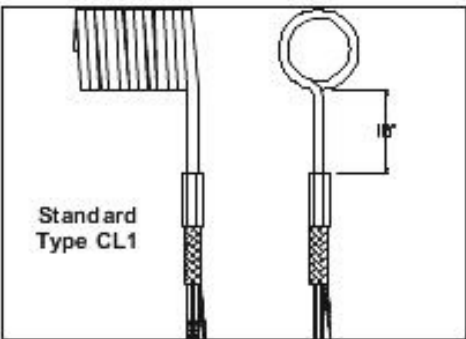
Watts _____

Volts _____

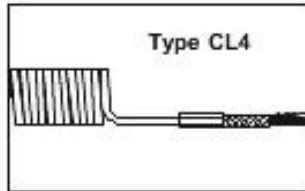
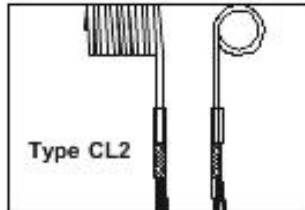
Lead Wire/Protection _____

Exit Style/Orientation _____

STANDARD LEAD ORIENTATIONS



Other configurations available upon request.



Operating Application Temperature _____

Environment _____